



Instagram

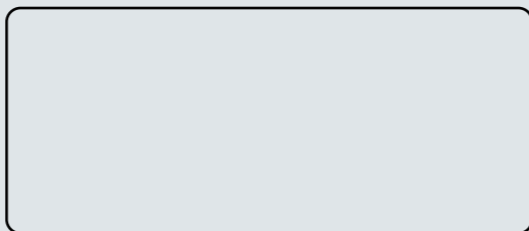


YouTube



Facebook

DISTRIBUTED BY



Changzhou Sifary Medcial Technology Co., Ltd
Add: NO.99, Qingyang Road, Xuejia County, Xinbei
District, Changzhou City, 213000 Jiangsu, China
Email: ivy@sifary.com
Web: www.eighteeth.com



TIP BOOK



CATALOG

Scaling

G1



Order Code: 6680523

G1-S



Order Code: 6680617

G2



Order Code: 6680524

G2-S



Order Code: 6680618

G4



Order Code: 6680526

G4-S



Order Code: 6680619

G5



Order Code: 6680527

G5-S



Order Code: 6680620

1

2

3

3

4

Periodontic

P1

Order Code: 6680528



5

P1-S

Order Code: 6680621



P3

Order Code: 6680529



6

P3-S

Order Code: 6680622



P4

Order Code: 6680530



7

P4-S

Order Code: 6680623



7

P52

Order Code: 6680533



8

P52-S

Order Code: 6680626



P50L

Order Code: 6680531



9

P50L-S

Order Code: 6680624



P50R

Order Code: 6680532



10

P50R-S

Order Code: 6680625



P53L

Order Code: 6680534



11

P53L-S

Order Code: 6680627



P53R

Order Code: 6680535



12

P53R-S

Order Code: 6680628



12

P59

Order Code: 6680536



13

P59-S

Order Code: 6680630



P56

Order Code: 6680544



14

P56-S

Order Code: 6680629



P3D

Order Code: 6680654



15

P3-SD

Order Code: 6680636



P4D

Order Code: 6680631



16

P4-SD

Order Code: 6680637



Endodontic

E1

Order Code: 6680537



17

E1-S

Order Code: 6680656



E3

Order Code: 6680538



18

E3-S

Order Code: 6680657



E4

Order Code: 6680539



19

E4-S

Order Code: 6680658



19

E5

Order Code: 6680540



20

E5-S

Order Code: 6680659



E7

Order Code: 6680542



21

E7-S

Order Code: 6680660



E8

Order Code: 6680608



22

E8-S

Order Code: 6680614



E9

Order Code: 6680609



23

E9-S

Order Code: 6680615



E10

Order Code: 6680610



24

E10-S

Order Code: 6680616



24

E3D

Order Code: 6680651



25

E3-SD

Order Code: 6680638



E30

Order Code: 6680611



26

E30-S

Order Code: 6680661



E31

Order Code: 6680612



27

E31-S

Order Code: 6680662



E4D

Order Code: 6680652



28

E4-SD

Order Code: 6680639



E5D

Order Code: 6680653



29

E5-SD

Order Code: 6680640



29

E6D

Order Code: 6680632



30

E6-SD

Order Code: 6680641



E7D

Order Code: 6680633



31

E7-SD

Order Code: 6680642



E8D

Order Code: 6680634



32

E8-SD

Order Code: 6680643



TC1D

Order Code: 6680648



33

TC1-SD

Order Code: 6680650





SCALING

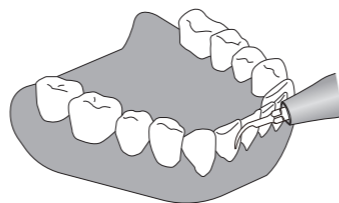
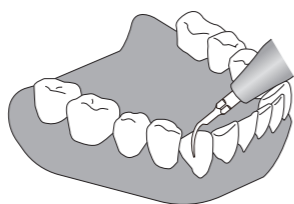
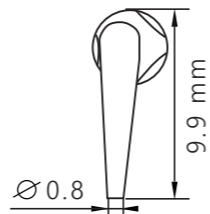
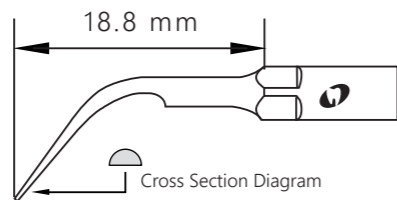
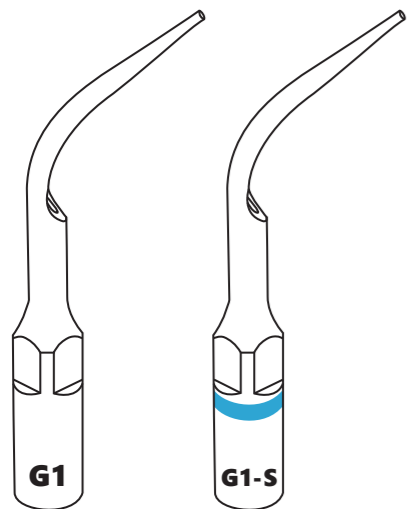
EMS® G1

Order Code 6680523

Satelec® G1-S

Order Code 6680617

Function Description: All-round removal of supragingival calculus



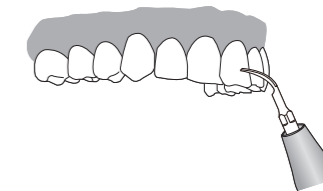
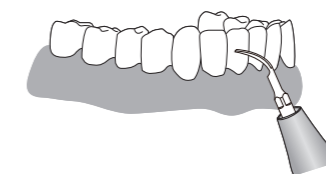
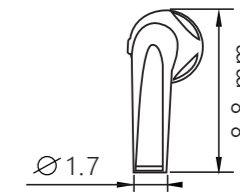
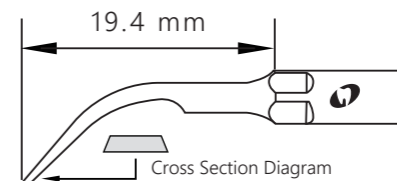
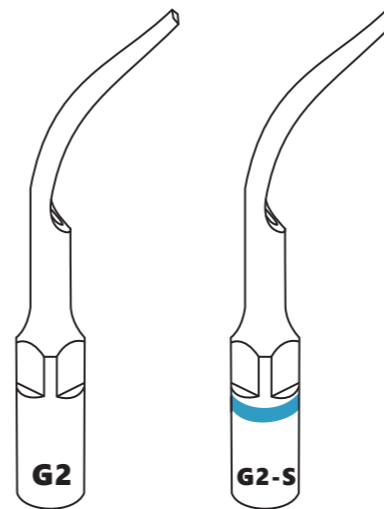
EMS® G2

Order Code 6680524

Satelec® G2-S

Order Code 6680618

Function Description: Removal of significant supragingival calculus



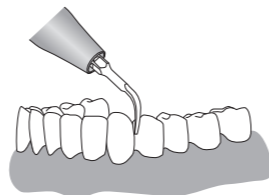
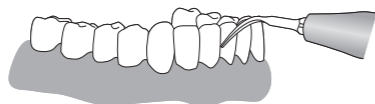
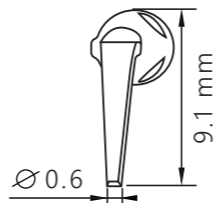
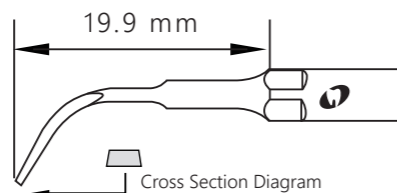
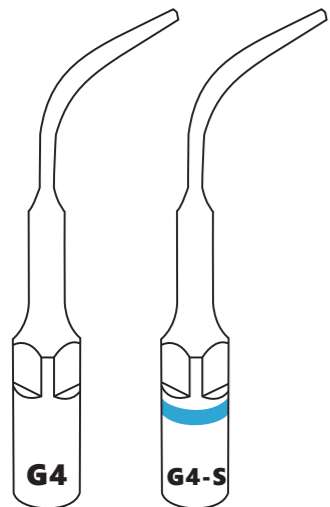
EMS® G4

Order Code 6680526

Satelec® G4-S

Order Code 6680619

Function Description: Used for supragingival and interdental space scaling



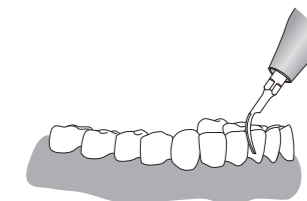
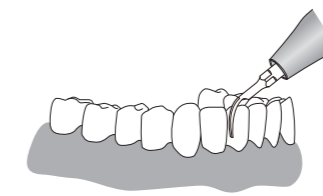
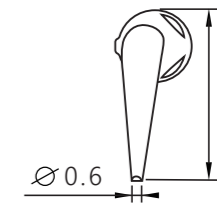
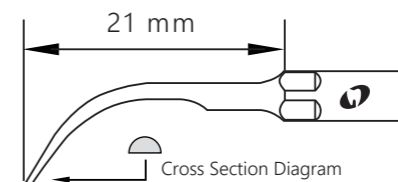
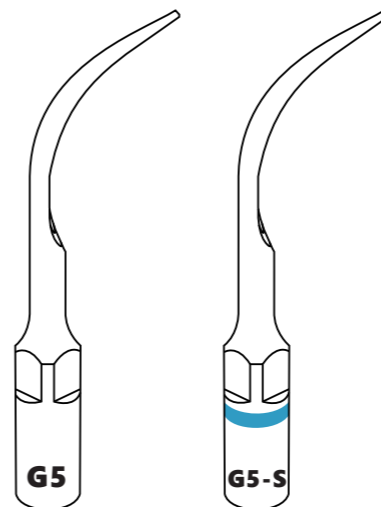
EMS® G5

Order Code 6680527

Satelec® G5-S

Order Code 6680620

Function Description: Removal of significant supragingival calculus





PERIODONTIC

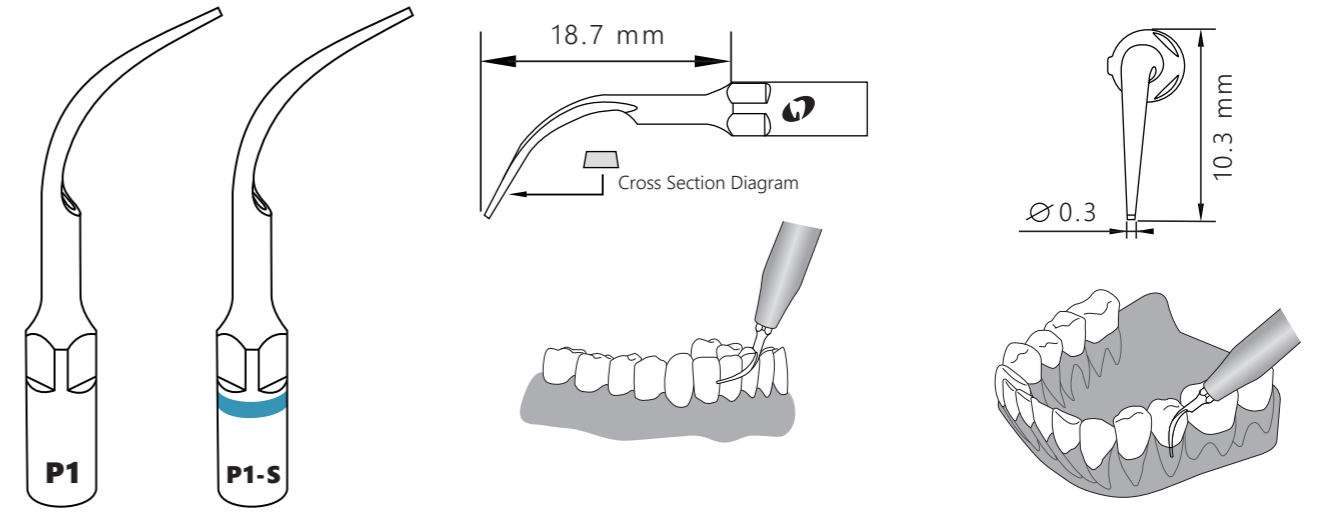
EMS® P1

Satelec® P1-S

Order Code **6680528**

Order Code **6680621**

Function Description: Removal of subgingival calculus and periodontal irrigation



P Mode: P
Power: 1-10

Recommended Service Life
150 Teeth

Water Flow Rate
mid&high

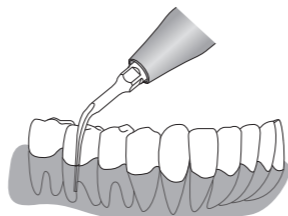
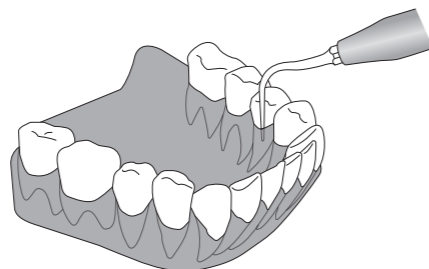
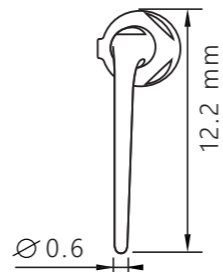
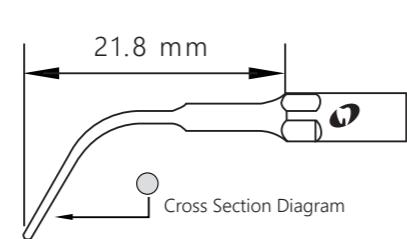
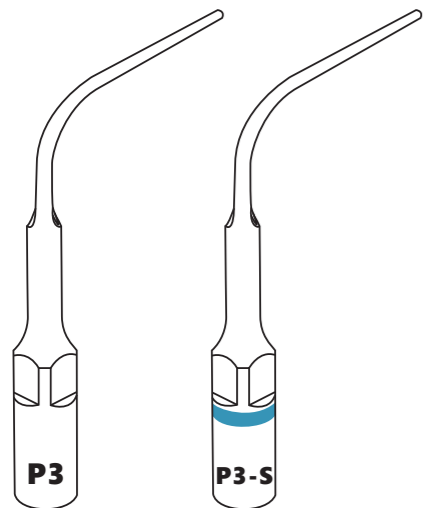
EMS® P3

Order Code 6680529

Satelec® P3-S

Order Code 6680622

Function Description: Removal of calculus deep in periodontal pocket and its irrigation



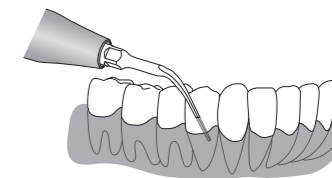
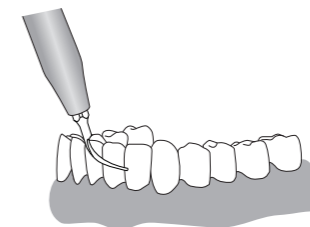
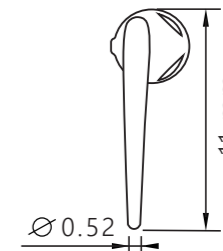
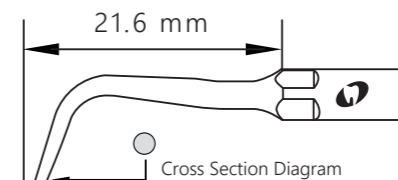
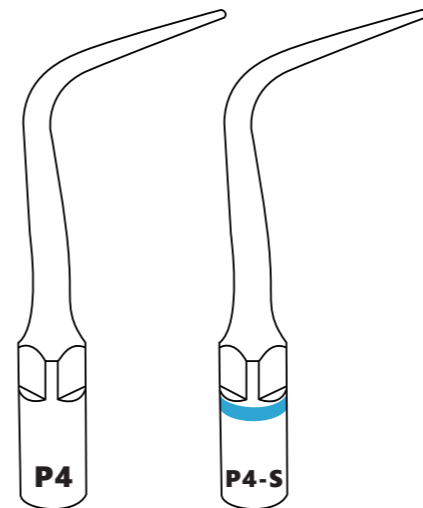
EMS® P4

Order Code 6680530

Satelec® P4-S

Order Code 6680623

Function Description: Removal of calculus in shallow pockets



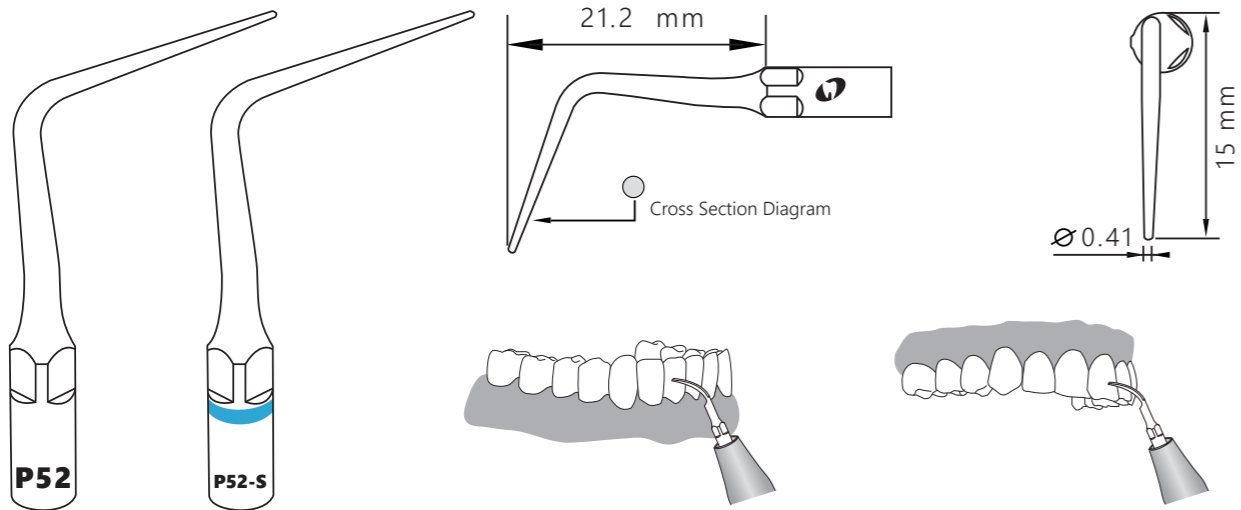
EMS® P52

Order Code 6680533

Satelec® P52-S

Order Code 6680626

Function Description: Supragingival scaling



P Mode: P
Power: 1-10

🕒 Recommended
Service Life
80 Teeth

🚰 Water Flow Rate
high

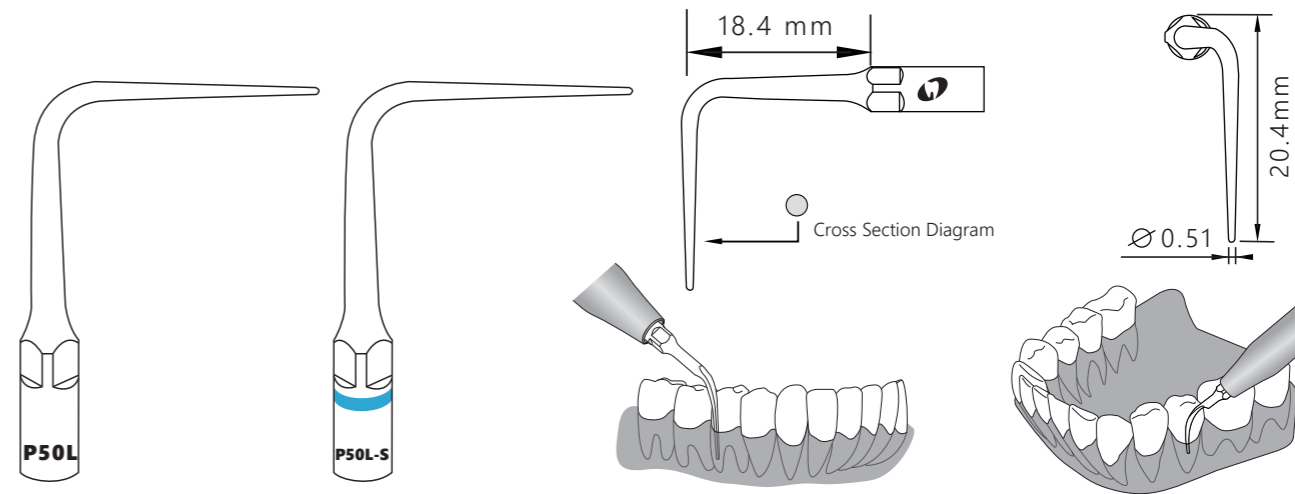
EMS® P50L

Order Code 6680531

Satelec® P50L-S

Order Code 6680624

Function Description: Used for subgingival calculus probing, subgingival proximal surface scaling and root planing



P Mode: P
Power: 1-10

🕒 Recommended
Service Life
80 Teeth

🚰 Water Flow Rate
high

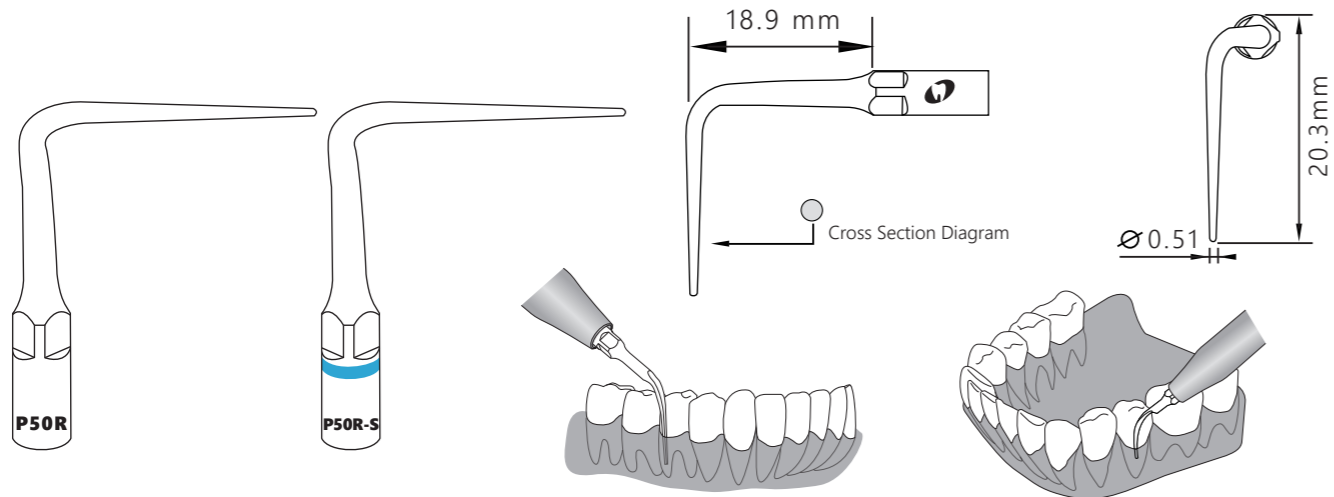
EMS® P50R

Order Code 6680532

Satelec® P50R-S

Order Code 6680625

Function Description: Used for subgingival calculus probing, subgingival proximal surface scaling and root planing



Mode: P
Power: 1-10

Recommended
Service Life
80 Teeth

Water Flow Rate
high

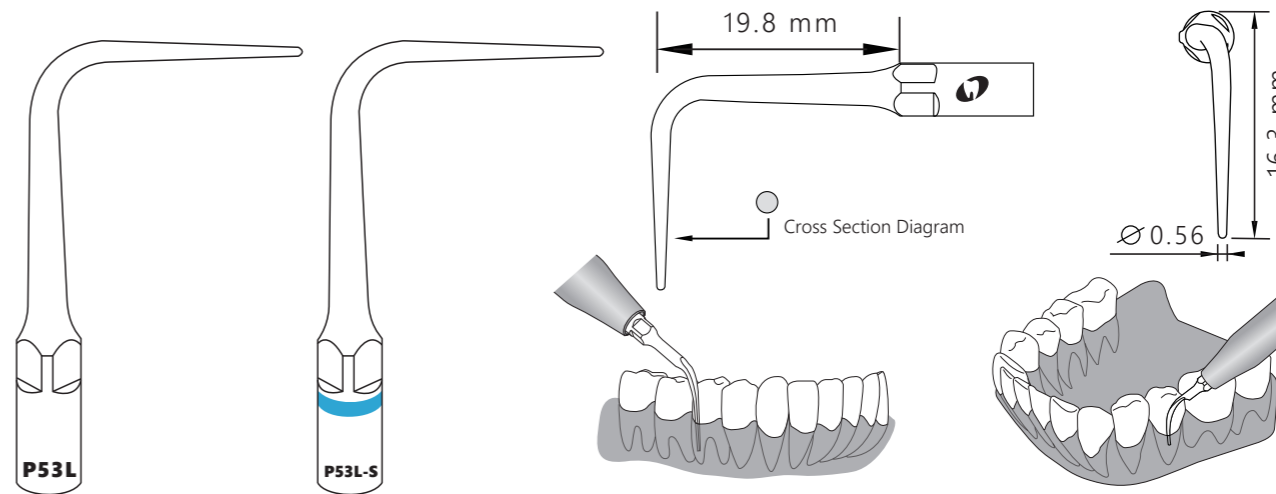
EMS® P53L

Order Code 6680534

Satelec® P53L-S

Order Code 6680627

Function Description: Used for subgingival calculus probing, subgingival proximal surface scaling and root planing



Mode: P
Power: 1-10

Recommended
Service Life
80 Teeth

Water Flow Rate
mid&high

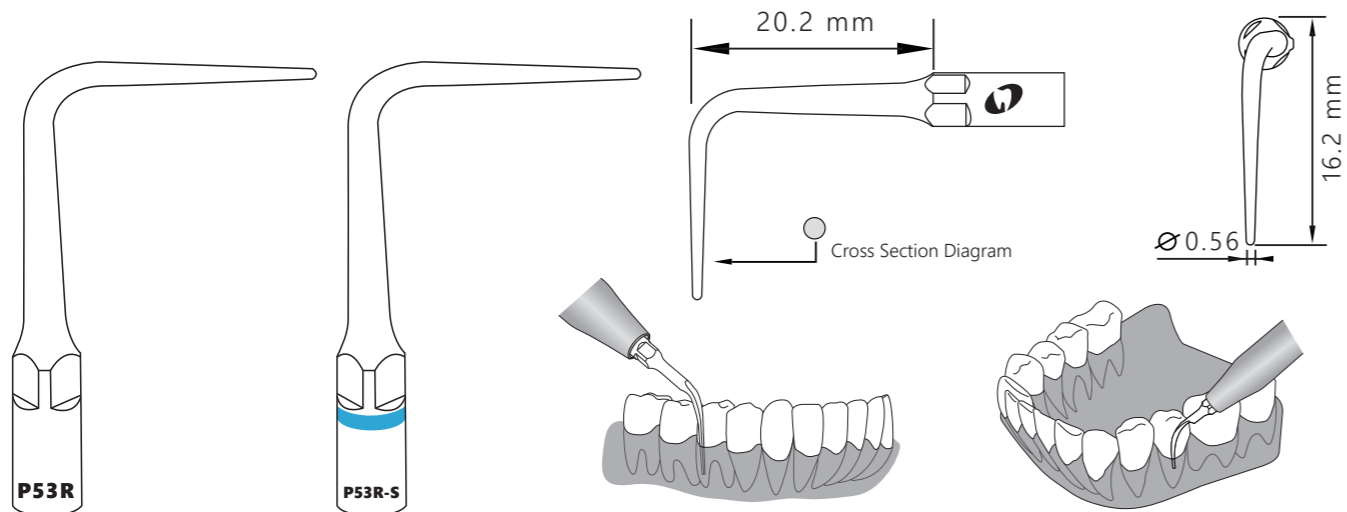
EMS® P53R

Order Code 6680535

Satelec® P53R-S

Order Code 6680628

Function Description: Used for subgingival calculus probing, subgingival proximal surface scaling and root planing



P Mode: P
Power: 1-10

⌚ Recommended
Service Life
80 Teeth

Water Flow Rate
mid&high

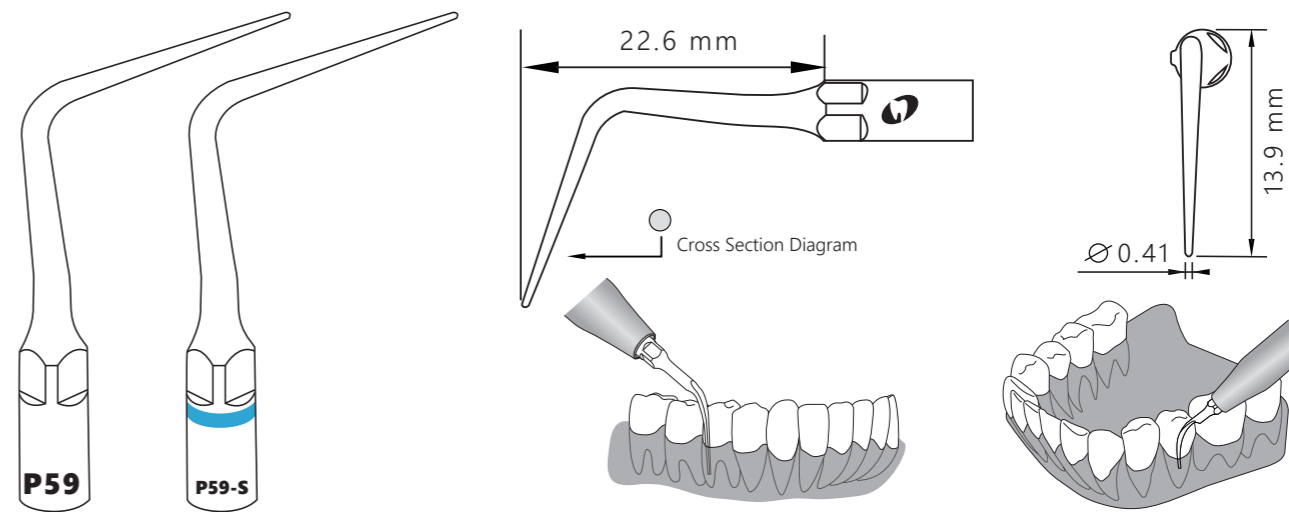
EMS® P59

Order Code 6680536

Satelec® P59-S

Order Code 6680630

Function Description: Used for subgingival calculus probing and scaling



P Mode: P
Power: 1-6

⌚ Recommended
Service Life
80 Teeth

Water Flow Rate
high

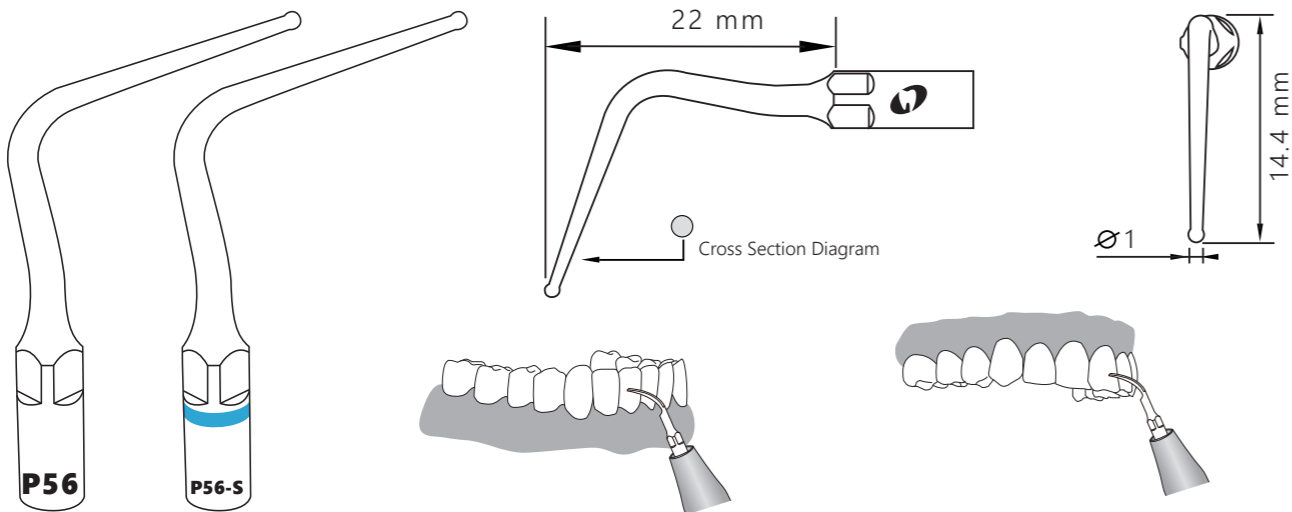
EMS® P56

Order Code 6680544

Satelec® P56-S

Order Code 6680629

Function Description: Removal of significant supragingival calculus and plaque



P Mode: P
Power: 1-10

⌚ Recommended Service Life
80 Teeth

Water Flow Rate
high

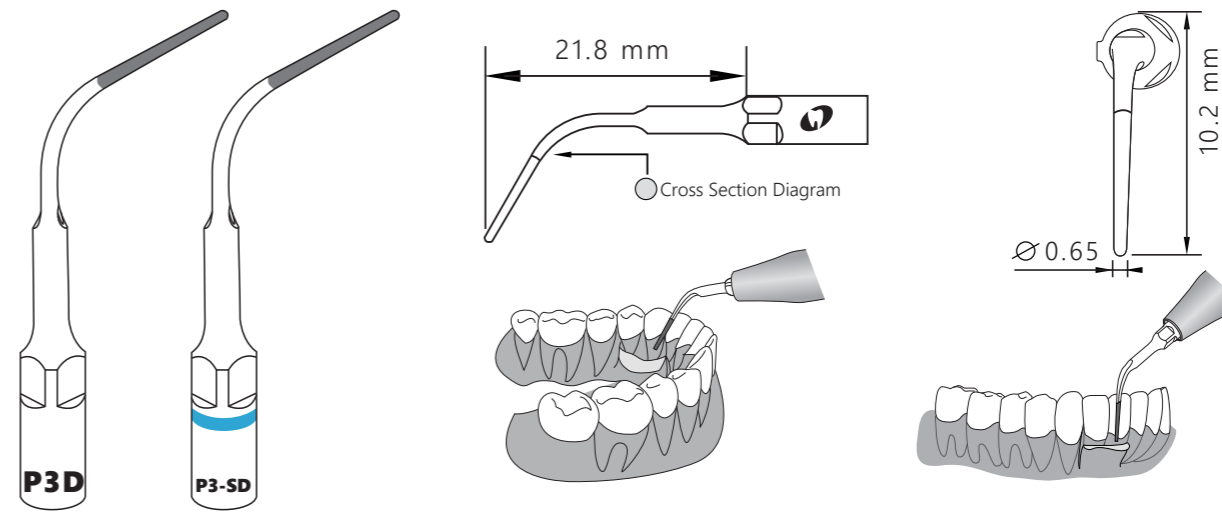
EMS® P3D

Order Code 6680654

Satelec® P3-SD

Order Code 6680636

Function Description: Used to level off the surface of endo after the periodontal flap surgery



P Mode: P
Power: 1-6

⌚ Recommended Service Life
50 Teeth

Water Flow Rate
mid&high

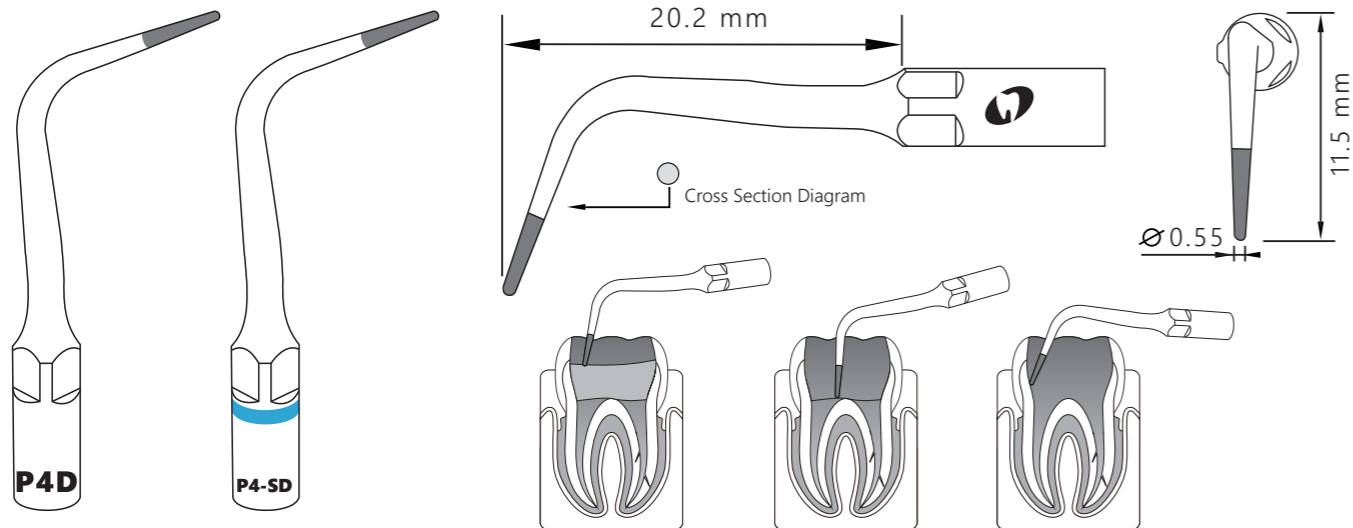
EMS® P4D

Order Code 6680631

Satelec® P4-SD

Order Code 6680637

Function Description: For locating root canal and removal of calcification on the one-third of crown



ENDODONTIC

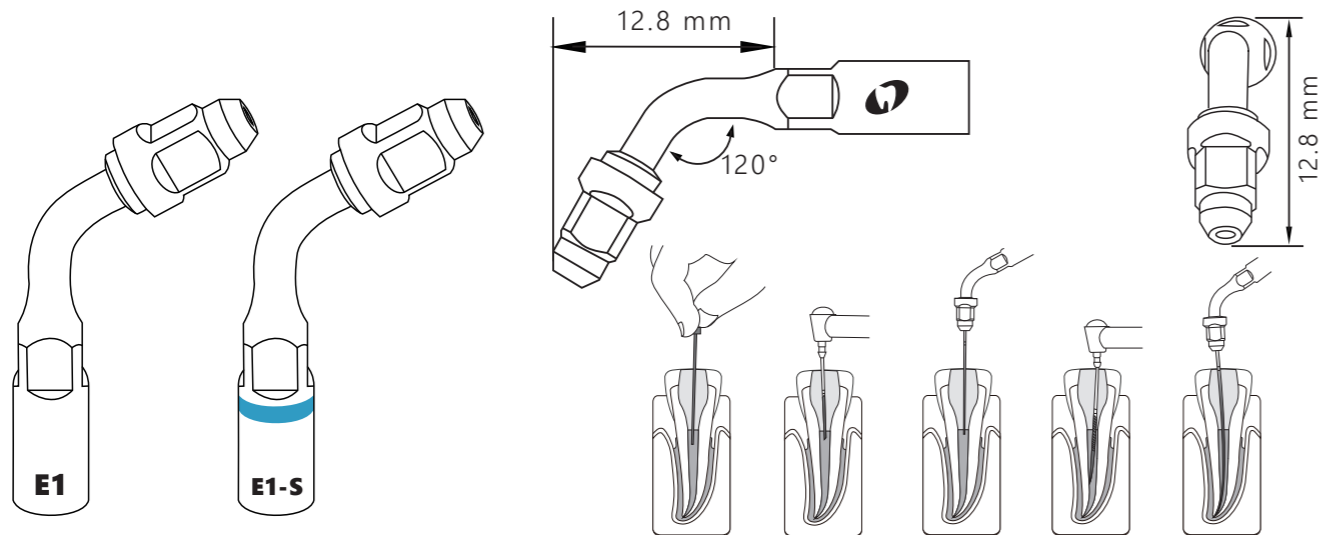
EMS® E1

Order Code 6680537

Satelec® E1-S

Order Code 6680656

Function Description: 120° angle holder for 0.7mm-0.8mm endo file for root canal cleaning



E Mode: E
Power: 1-3

⌚ Recommended
Service Life
500 times

Water Flow Rate
mid&high

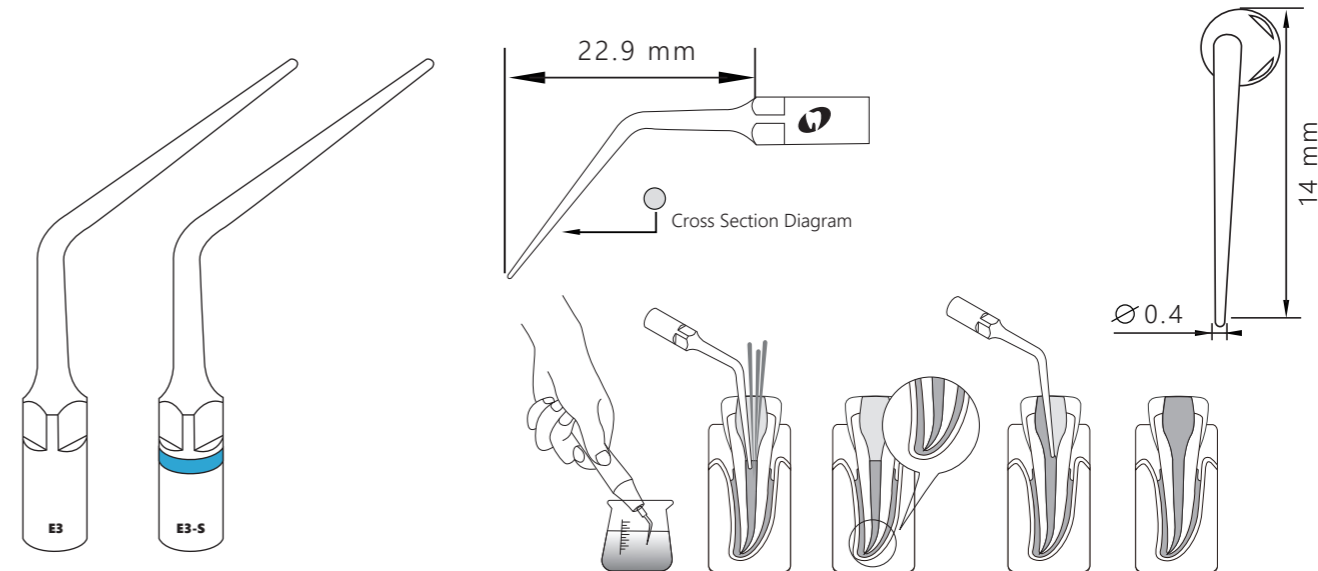
EMS® E3

Order Code 6680538

Satelec® E3-S

Order Code 6680657

Function Description: For lateral condensation of gutta percha by heating effect



E Mode: E
Power: 1-3

⌚ Recommended
Service Life
500 root canals

Water Flow Rate
No water

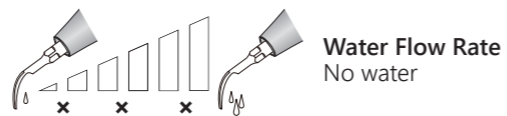
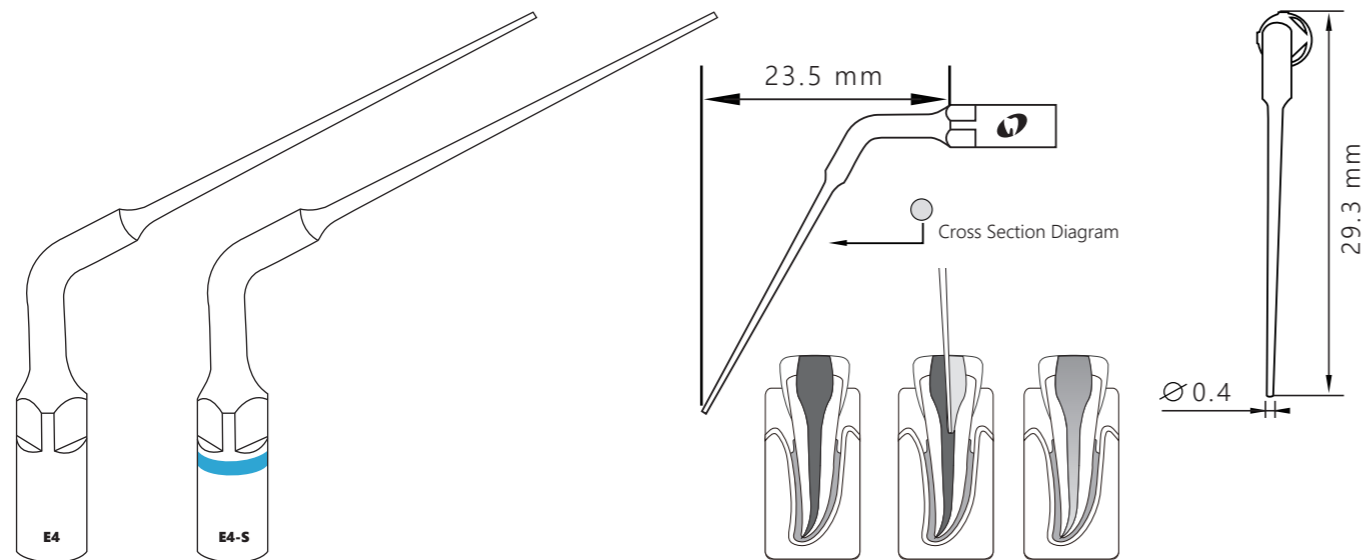
EMS® E4

Order Code 6680539

Satelec® E4-S

Order Code 6680658

Function Description: Removal of foreign filling material during re-treatment



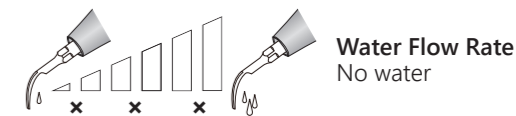
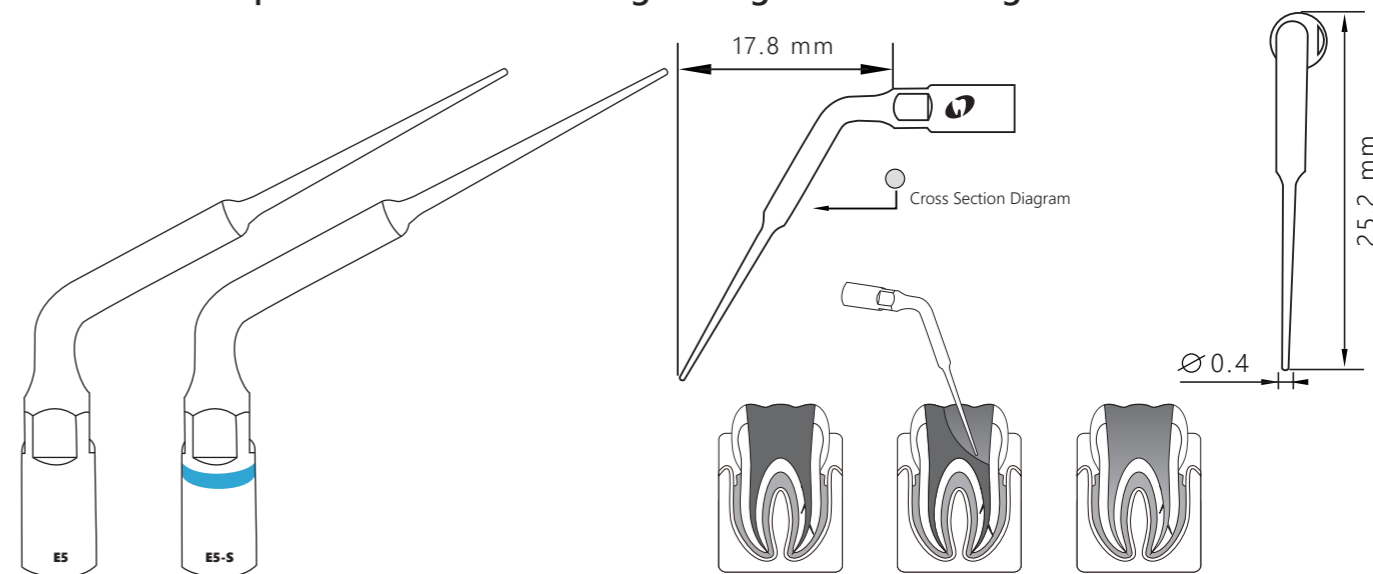
EMS® E5

Order Code 6680540

Satelec® E5-S

Order Code 6680659

Function Description: Removal of foreign filling material during re-treatment



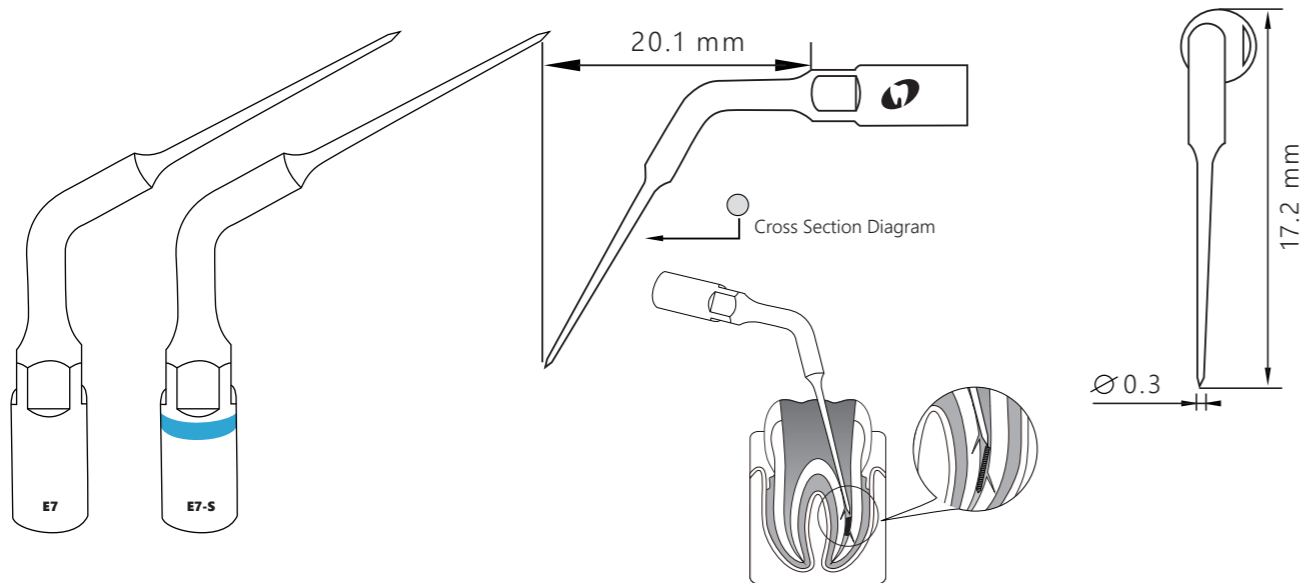
EMS® E7

Order Code 6680542

Satelec® E7-S

Order Code 6680660

Function Description: Removal of broken instrument



E Mode: E
Power: 1-3

Recommended Service Life
50 root canals

Water Flow Rate
mid&high

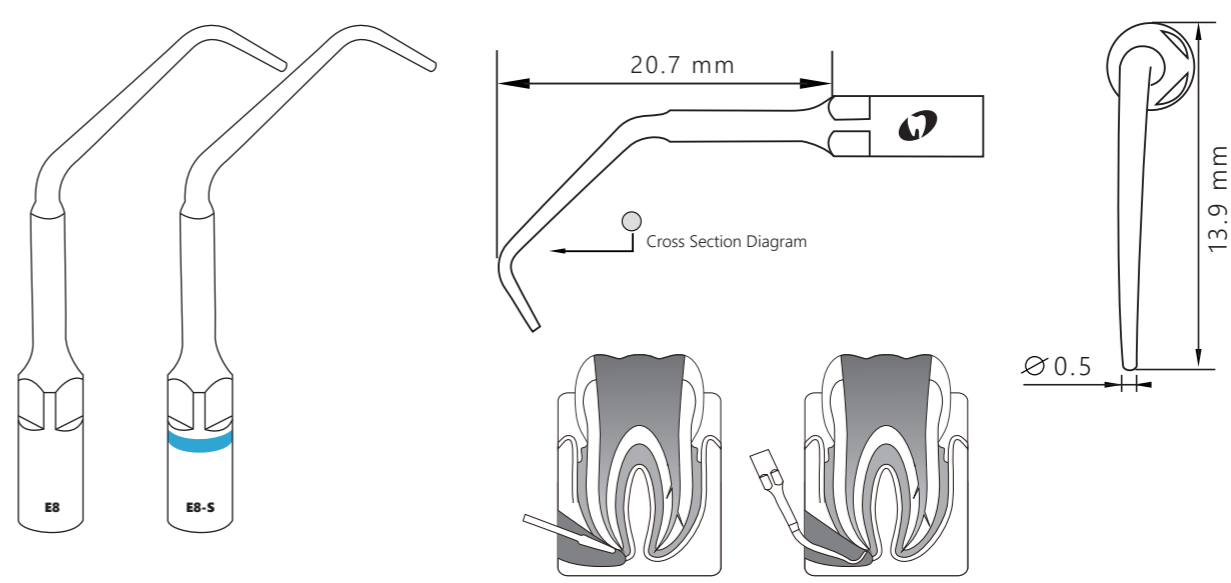
EMS® E8

Order Code 6680608

Satelec® E8-S

Order Code 6680614

Function Description: Used to brush the canal walls during re-treatment



E Mode: E
Power: 1-6

Recommended Service Life
50 root canals

Water Flow Rate
low,mid&high

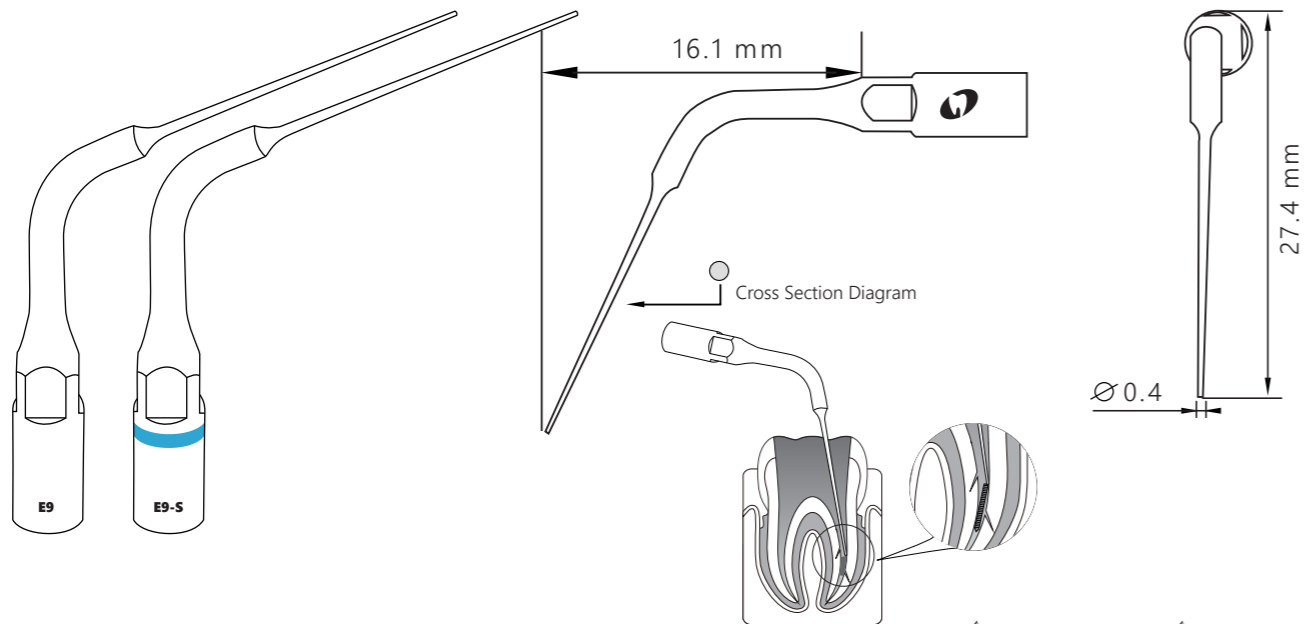
EMS® E9

Satelec® E9-S

Order Code 6680609

Order Code 6680615

Function Description: Flexible, used for irrigation



Mode: E
Power: 1-3

Recommended
Service Life
20 root canals

Water Flow Rate
No water

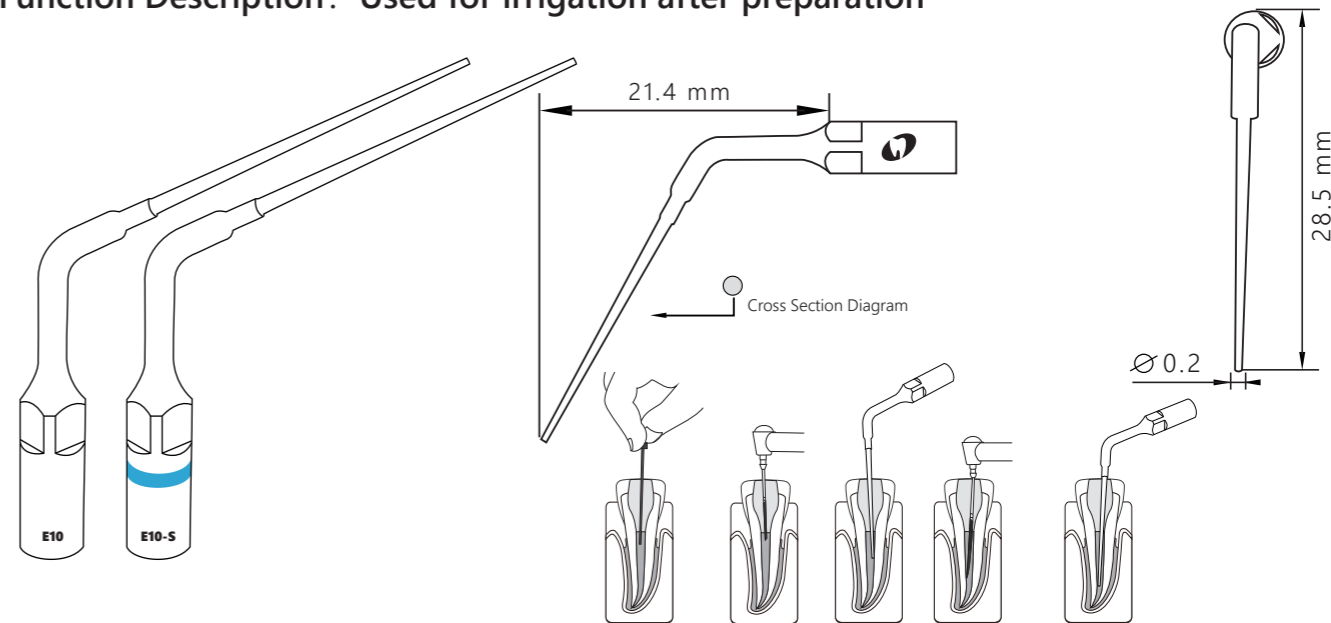
EMS® E10

Satelec® E10-S

Order Code 6680610

Order Code 6680616

Function Description: Used for irrigation after preparation



Mode: E
Power: 1-3

Recommended
Service Life
50 root canals

Water Flow Rate
mid&high

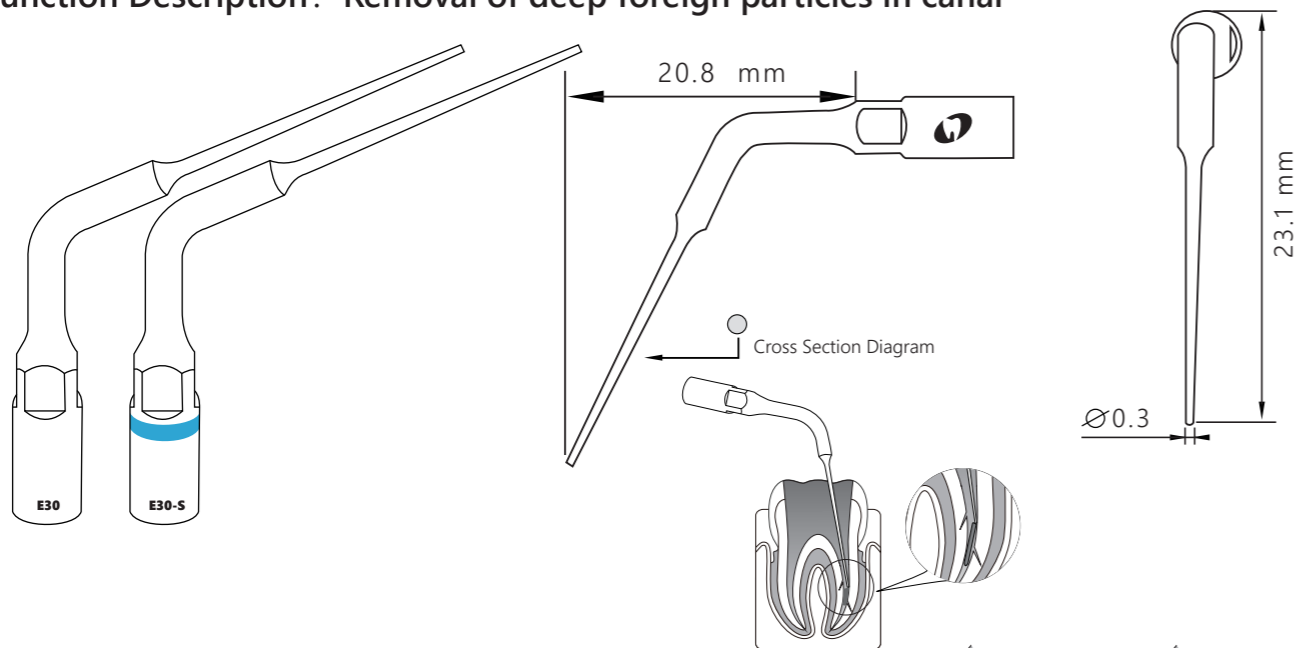
EMS® E30

Order Code 6680611

Satelec® E30-S

Order Code 6680661

Function Description: Removal of deep foreign particles in canal



Mode: E
Power: 1-3

Recommended
Service Life
50 root canals

Water Flow Rate
low&mid

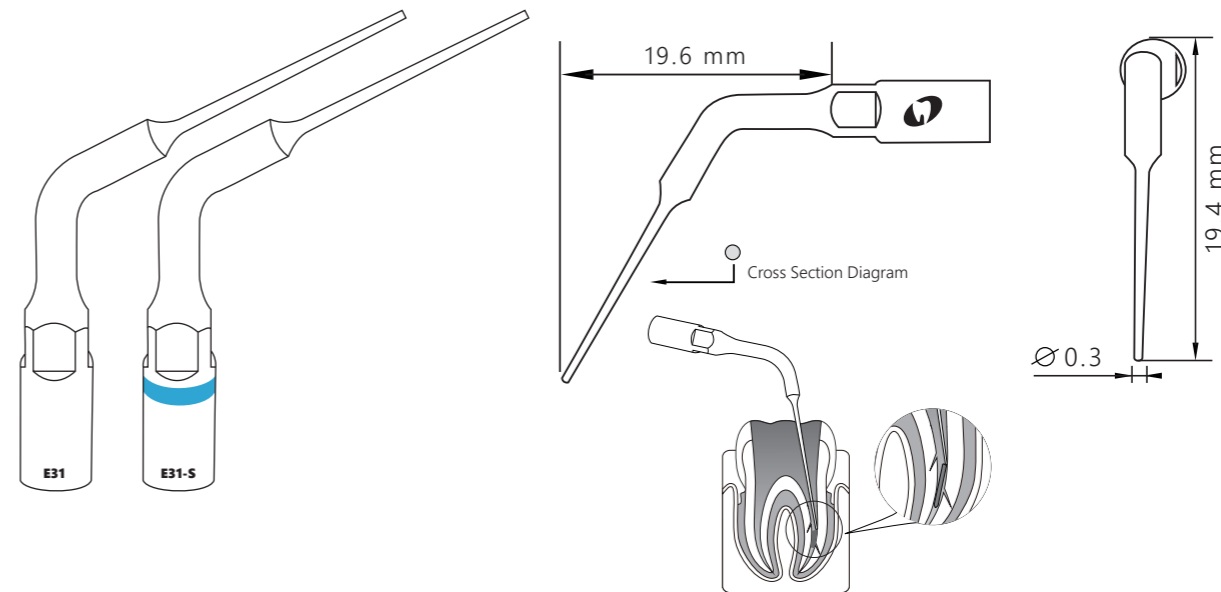
EMS® E31

Order Code 6680612

Satelec® E31-S

Order Code 6680662

Function Description: Removal of foreign particles in one-third of the canal



Mode: E
Power: 1-3

Recommended
Service Life
50 root canals

Water Flow Rate
low&mid

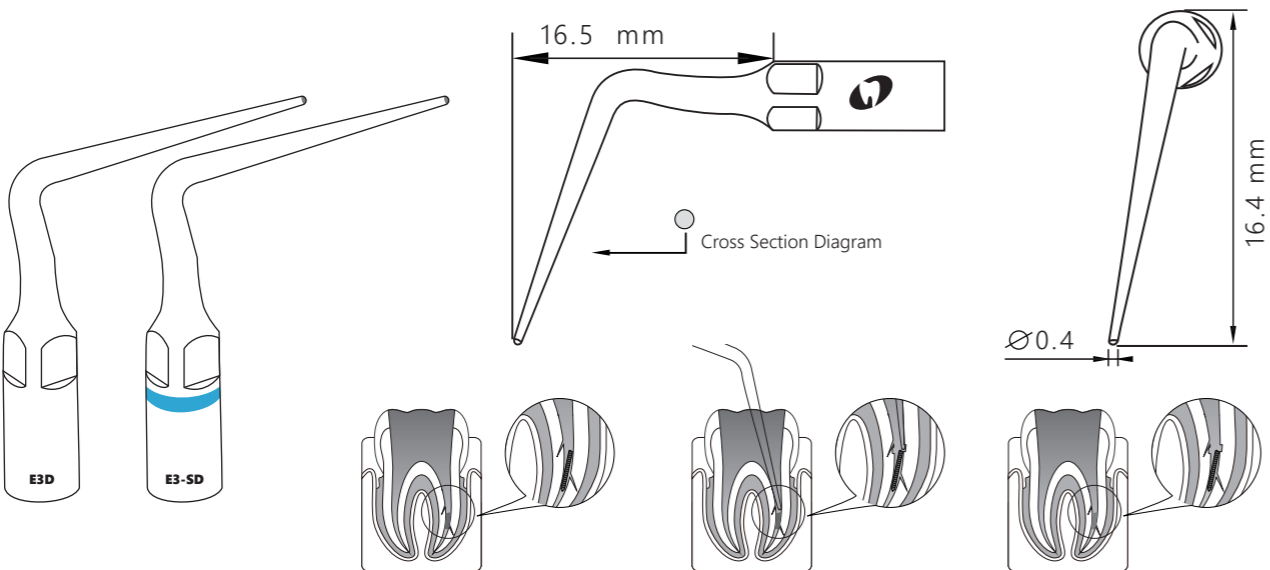
EMS® E3D

Order Code 6680651

Satelec® E3-SD

Order Code 6680638

Function Description: Enlargement of the canal walls to remove the broken instrument



E Mode: E
Power: 1-3

⌚ Recommended
Service Life
50 root canals

📊 Water Flow Rate
low, mid & high

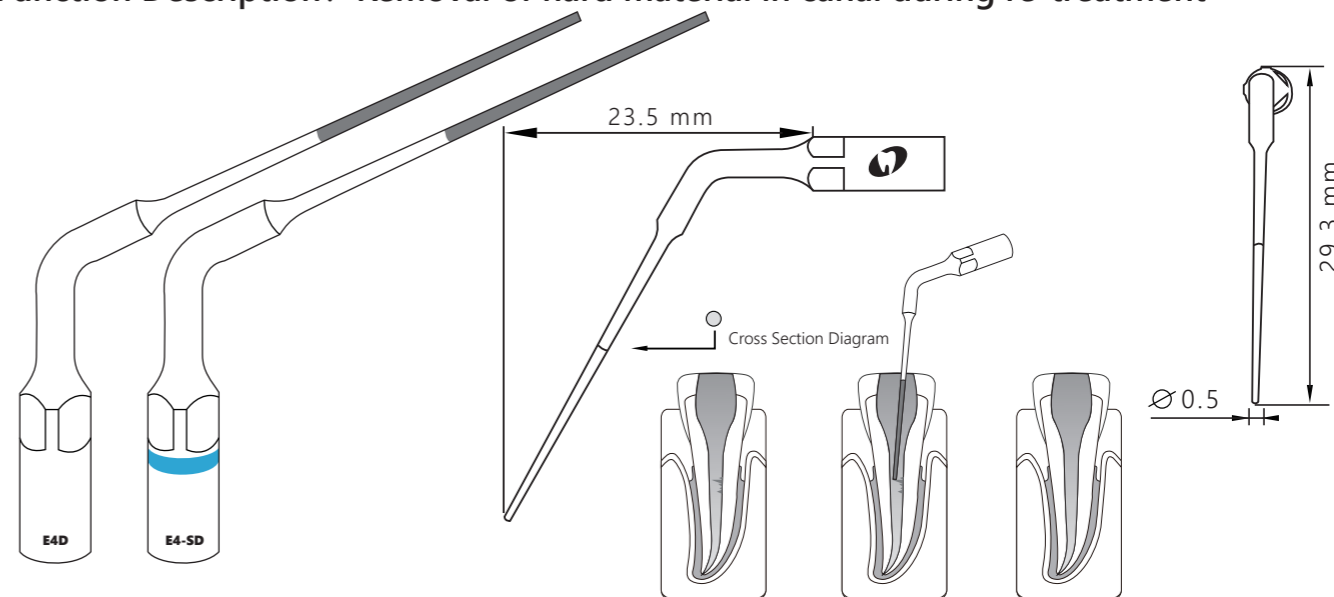
EMS® E4D

Order Code 6680652

Satelec® E4-SD

Order Code 6680639

Function Description: Removal of hard material in canal during re-treatment



E Mode: E
Power: 1-3

⌚ Recommended
Service Life
50 root canals

📊 Water Flow Rate
No water

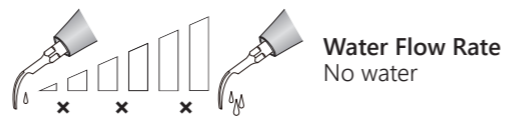
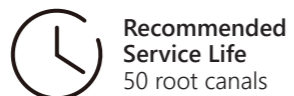
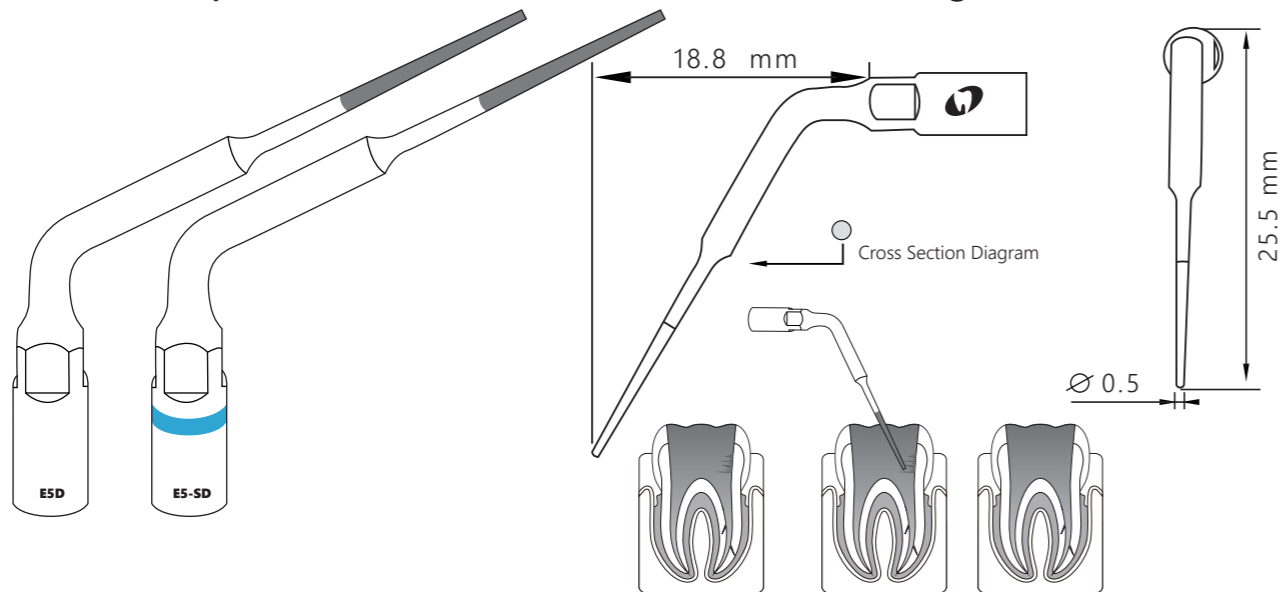
EMS® E5D

Order Code 6680653

Satelec® E5-SD

Order Code 6680640

Function Description: Removal of hard material in canal during re-treatment



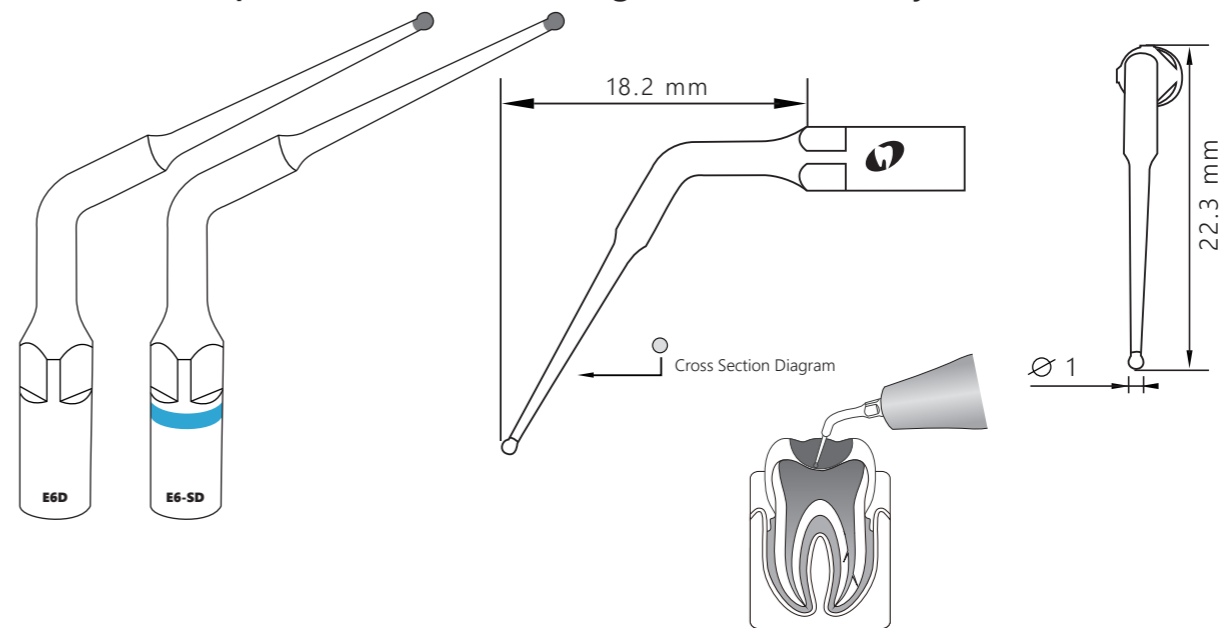
EMS® E6D

Order Code 6680632

Satelec® E6-SD

Order Code 6680641

Function Description: Removal of foreign material in cavity to access canal orifice



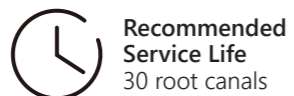
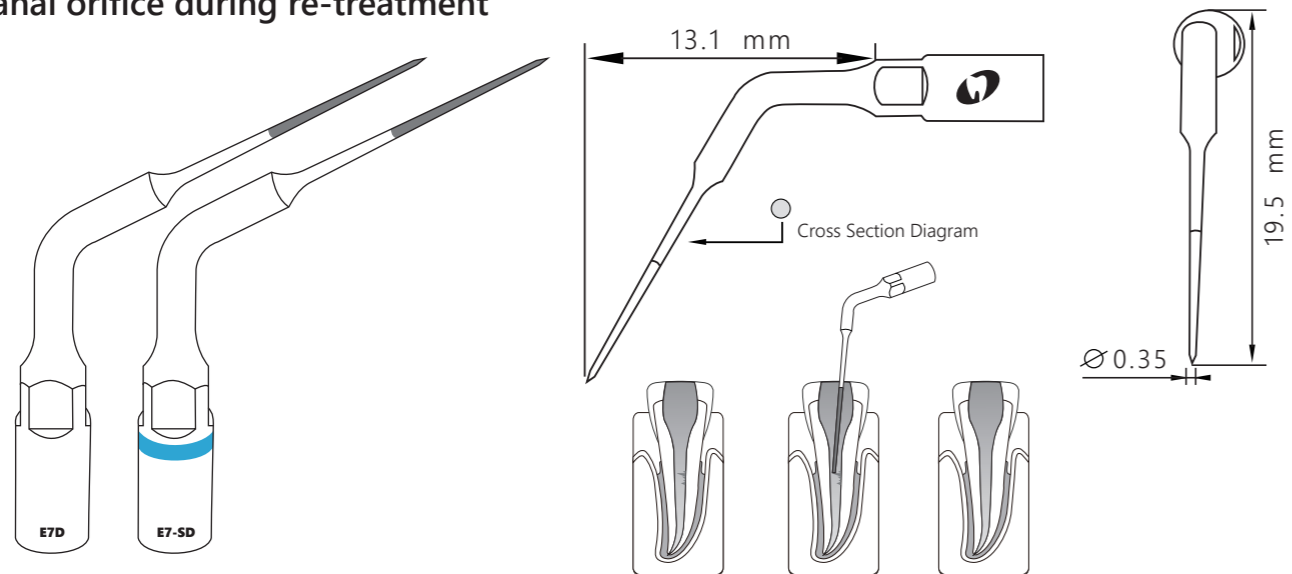
EMS® E7D

Order Code 6680633

Satelec® E7-SD

Order Code 6680642

Function Description: Removal of calcification and filling material in cavity to access canal orifice during re-treatment



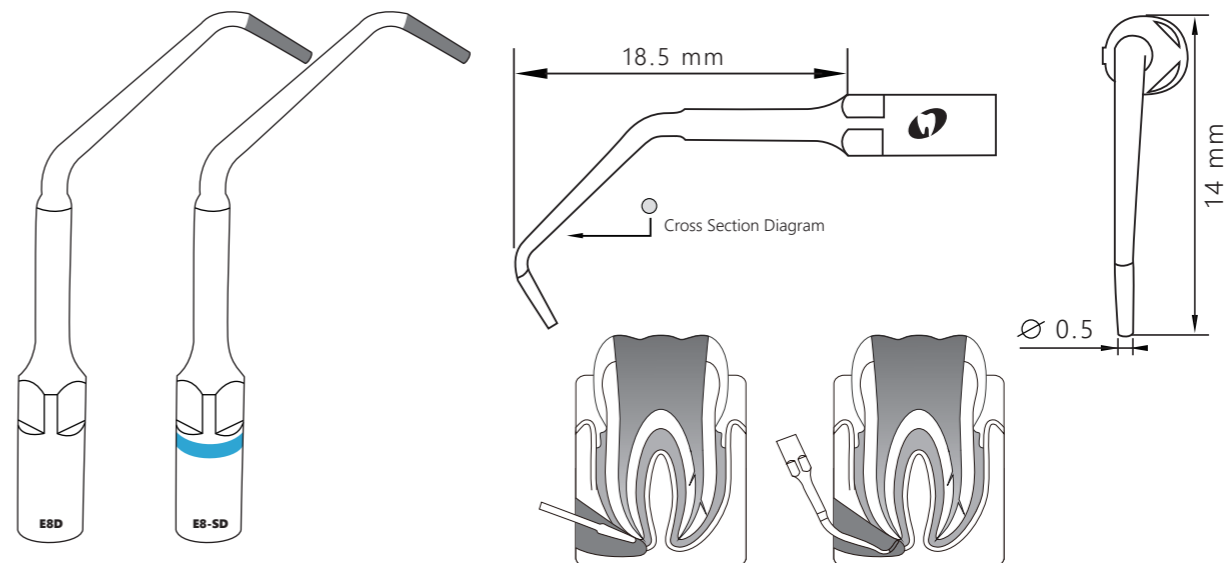
EMS® E8D

Order Code 6680634

Satelec® E8-SD

Order Code 6680643

Function Description: Used for root canal retrogression, efficient root apical polishing



EMS[®] TC1D

Order Code 6680648

Satelec[®] TC1-SD

Order Code 6680650

Function Description: Removal cervical caries and caries on the occlusal surface

